



Bernstein

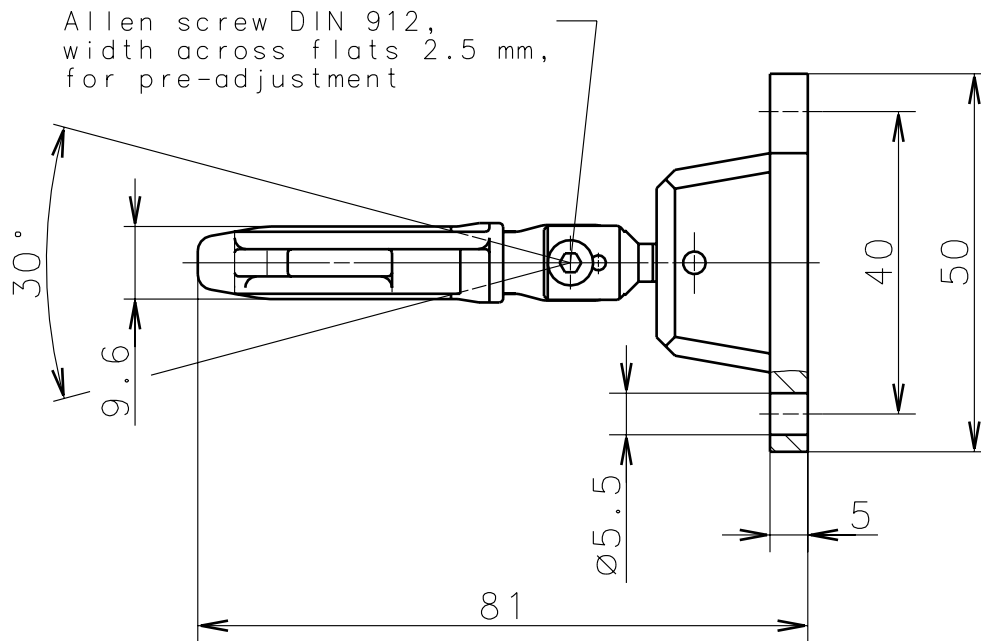
Bernstein AG
Postfach 1164
D-32437 Porta Westfalica

Technical data sheet

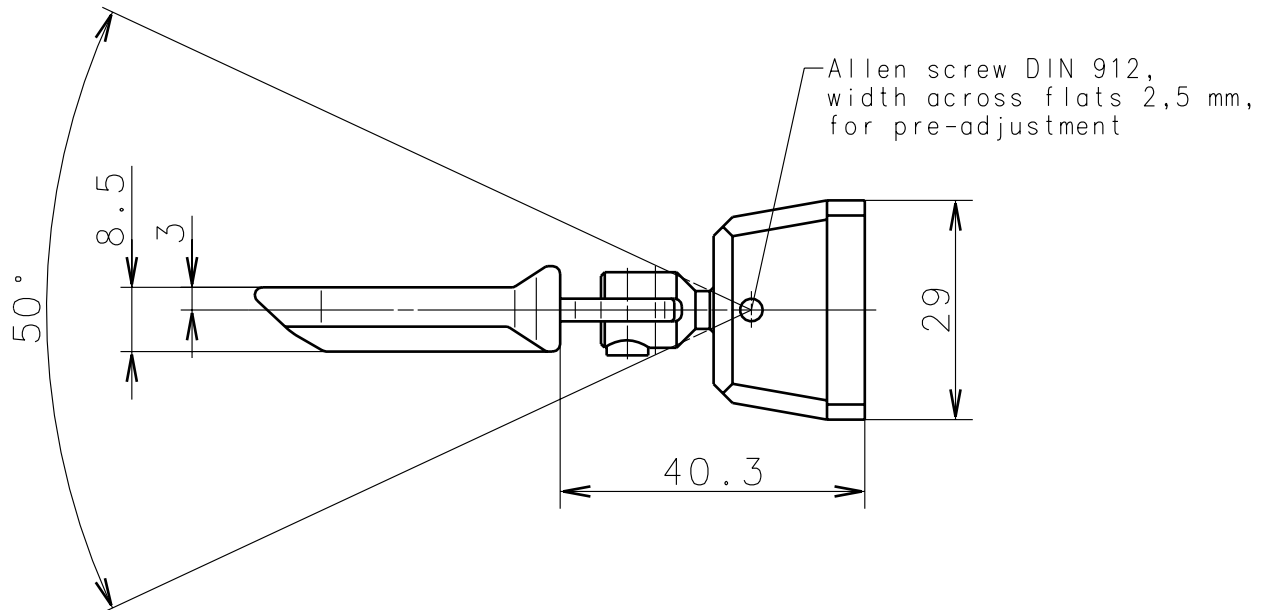
VTU-Radiusbet.kpl.

391.170.2133

Horizontal pre-adjustment



Vertikal pre-adjustment



Changing the position of the spring loaded key (in steps of 4-times 90°) is only possible when the whole actuator is not yet mounted to the guard.

Material: Stainless steel/PA66

Schutzvermerk nach DIN 34 beachten
Copyright reserved

15.04.2003