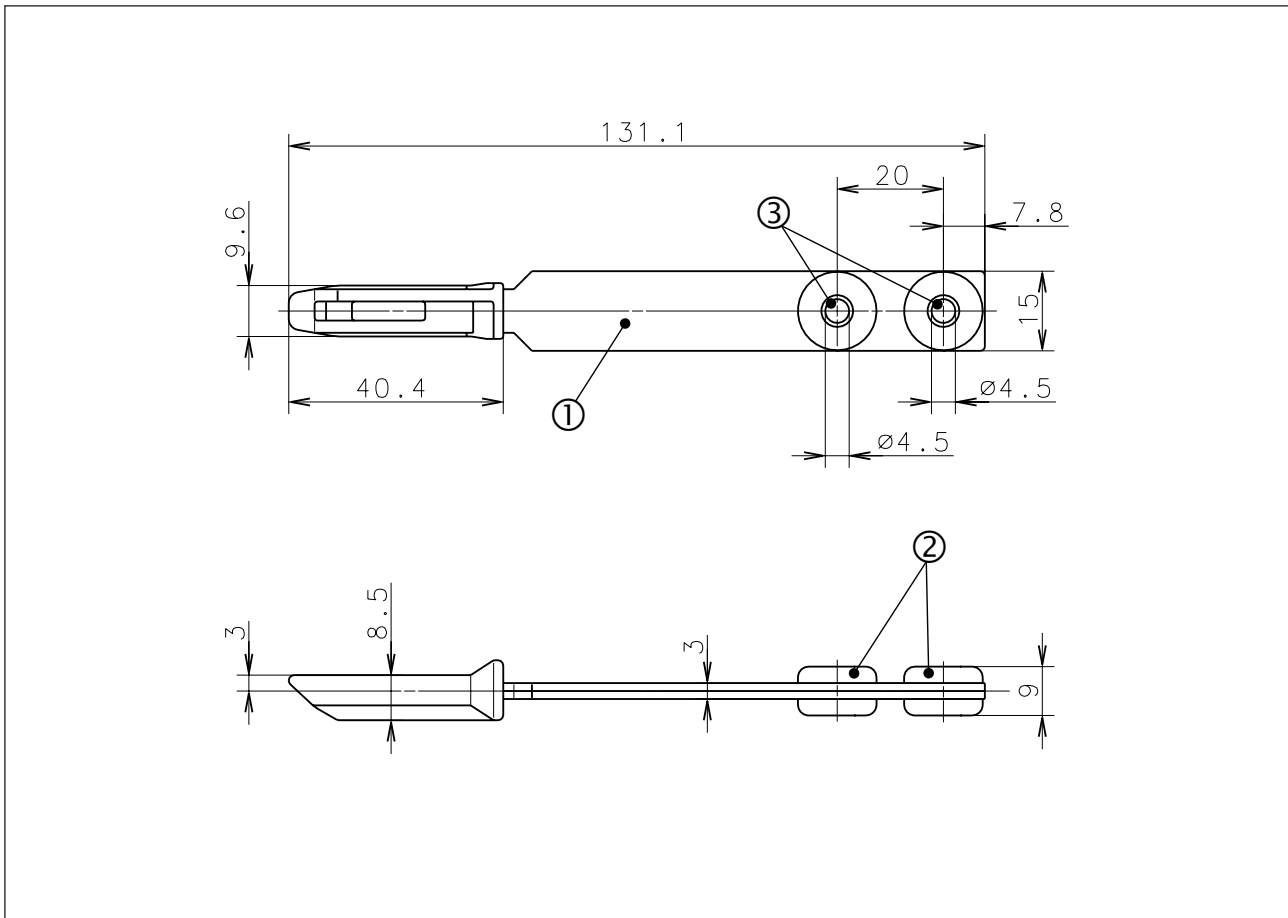


**Actuator**  
Series VTU

Description **VTU-BET.LANG KPL**

Article number **3911702101**



**Mechanical data**

①	Stainless steel (X5CrNi18-10)
②	Polychloroprene rubber
③	Steel (S235JR)