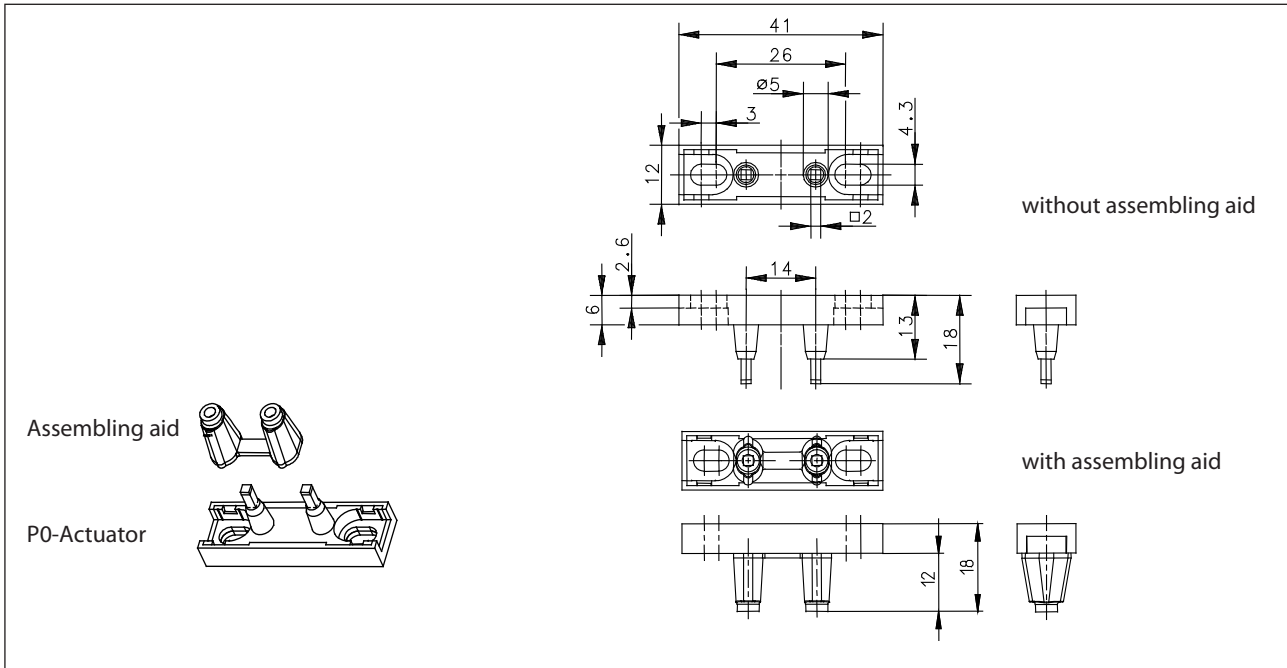


Actuator
Series P

Description **P0-BET. EB-HILFE**

Article number **3911462266**



Mechanical data	
Enclosure	PA 6.6 (UL 94-V0) black
Assembling Aid	PE
Ambient air temperature	-30 °C ... +70 °C
Contact material	AgCu3 on CuNi18Zn20
Assembly	2 x M4
Weight	≈ 0,01 kg

Notes
P0-Actuator wit assembling aid. Do not use actuator as end stop. Only use with Bernstein safety switch serie SEL ... P.