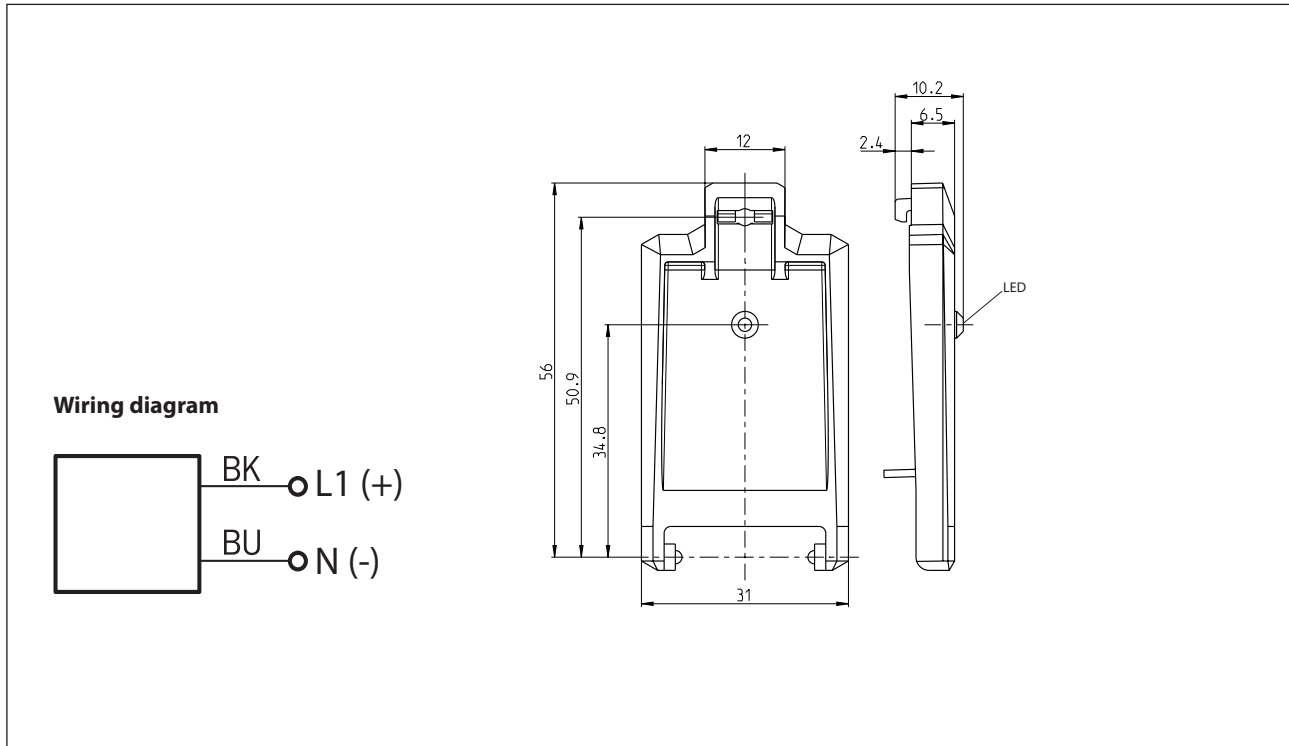


Plastic bodied limit switch
Series IN65

Description **IN65-DECKEL LED**

Article number **3908031788**



Electrical data

Operational voltage range	U_B	20 ... 240 V AC; 12 ... 110 V DC
Rated operational current	I_e	3 mA
False polarity protection		yes

Mechanical data

Material	Thermoplastic, glass fibre reinforced (UL 94-V0), black (RAL 9005)
Temperature range	- 25 °C ... + 70 °C (unmoved)
Termination type	2 x wire 0,14 mm ² (black, blue)
Indication	LED, yellow

EU Conformity

acc. to directive 2014/30/EU (EMC-Directive)