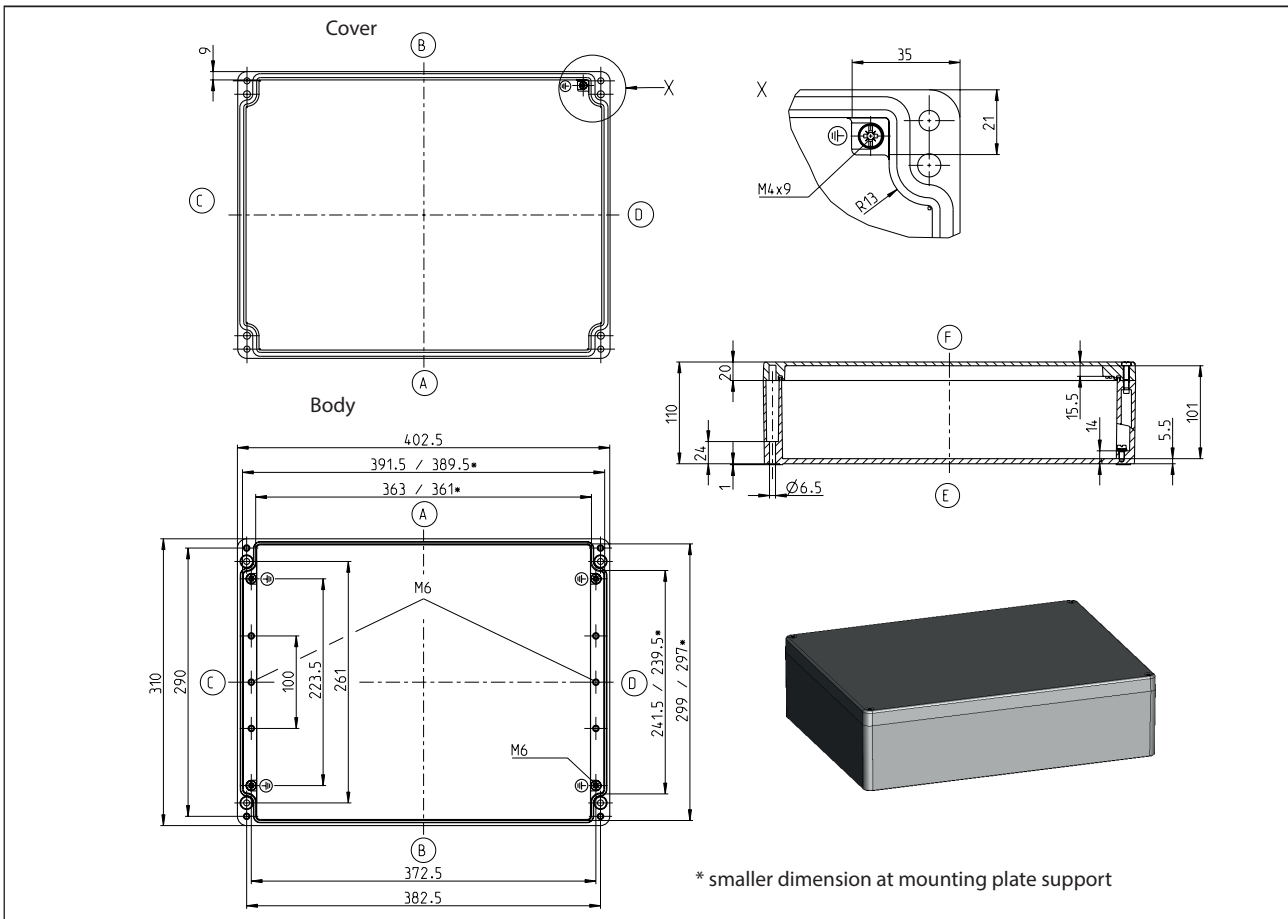


Standard enclosure
Series CA


Designation CA-450 HF **Article number 1450008000**



Standard version	
Scope of supply:	
Base of enclosure	
Enclosure cover	
Cover screws (cross recessed head) enclosed loosely	
Earthing screws in the lower part and in the cover	
Colour RAL 7001 (silver grey)	
Cover gasket HF (silicone foam seal)	
Individually packaged in foil	

Maximum possible number of thread (figures for identical diameter, not mixed!)								
ISO M	M12	M16	M20	M25	M32	M40	M50	M63
Page A/B	80	38	27	17	11	6	5	4
Page C/D	38	21	13	7	5	4	3	2

Property chart CA-450 HF			
Specification	Value	According to standard	Remark
General data:			
Weight	5810 g		
External dimensions	402,5 x 310 x 110		
Protection classes			
IP-code	IP 65	EN 60529	
IK-code	IK09	IEC 62262	
Material			
Enclosure	EN AC-ALSi12Cu1(Fe) EN AC-47100	DIN EN 17006:05/98	Aluminium pressure die-casting Alloy 231
Screws	A2-70	DIN EN ISO 3506-1	Cover screws
Gasket	silicon foam seal		Colour: beige Ag/Cu coated
Toxic behaviour	halogen-free		
Mechanical properties:			
Torques			
Cover screws	2,5 Nm		
Earthing screws	2,5 Nm 2,0 Nm		Body Cover
Attachment of accessories	2,5 Nm		for ex. mounting plates, mounting rails
Other mounting	2,5 Nm		Screw channel, External mounting brackets
Maximum installation weight	10,0 kg		
Thermal properties:			
Temperature range			
Enclosure complete	-30 °C bis +80 °C		Standard powder-coated enclosure
HF-seal	-55 °C bis +125 °C		
Ambient temperature Indoor application	-5 °C bis +40 °C	DIN EN 62208	On the average over 24h +35°C
Thermal resistance	0,59 K/W		taking account of effective dissipation loss
Relative humidity			
Indoor application	max. 50% bei +40 °C	DIN EN 62208	with low temperatures also higher (for ex. 90% at +20°C)
Storage temperature	-20 °C bis +60 °C		
Chemical properties:			
Corrosion resistance	Severity level A	DIN EN 62208/9.13.2.1	IEC 60068-2-30 and IEC 60068-2-11
Corrosion resistance	Severity level B	DIN EN 62208/9.13.2.2	IEC 60068-2-30 and IEC 60068-2-11
Resistance lists for enclosure materials and seals see catalog			

Property chart CA-450 HF			
Specification	Value	According to standard	Remark
Electrical characteristics:			
Protection class	I	EN 61140 / VDE 0140-1	 Protection by protective conductor
Rated voltage	max. 1000 V (AC) max. 1500 V (DC)		
More details:			
General tolerance	DCTG 7 - GCTG 3	DIN EN ISO 8062-3	Cast part tolerances
General tolerance	mH	ISO 2768	Machining tolerances
Product standard	Yes	DIN EN 62208	Empty enclosures for low-voltage switchgear assemblies
Compliances			
Directive 2011/65/EU		RoHs	
Low-Voltage-Directive No.:	2014/35/EU		
Electric Equipment (safety) Regulations 2016:	2016 No. 1101		