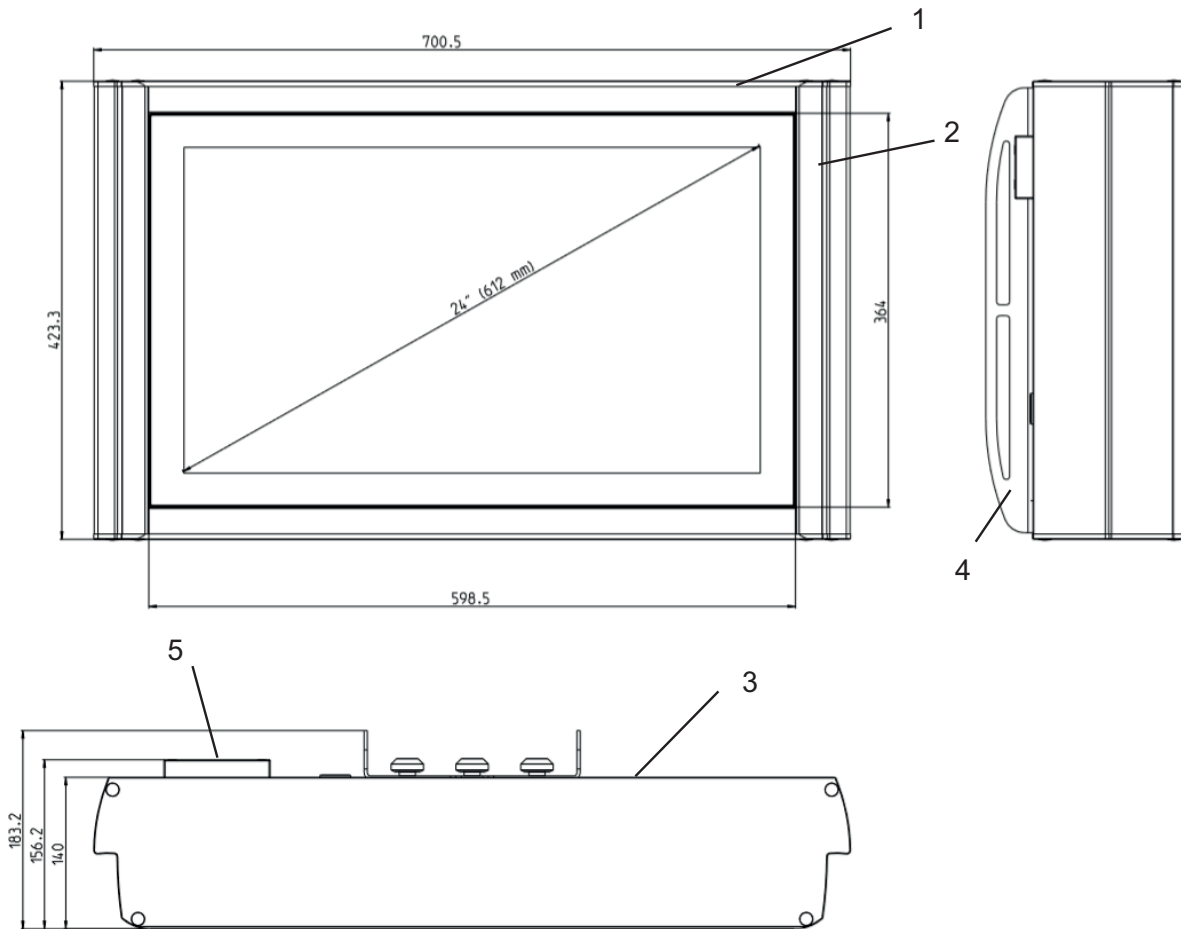


Type Control Enclosures

Article number 110600002



- 1 Horizontal sections 140
- 2 Handle section 140
- 3 Rear panel
- 4 Rear panel support plate
- 5 Cable entry strip

Property chart		
Specification	Value	Remark
<b>General data:</b>		
External dimensions (mm) ( B x H x T)	Max. 700,5 x 423 x 140	
Installation depth	Max. 80	
Protection classes	IP65	
Weight	ca. 20kg	
Relative humidity	Max. 85%	
Temperature during storage and transport	-20°C bis +80°C	
Ambient temperature	-5°C bis +70°C	
<b>Material</b>		
Enclosure body	Aluminium	
Front panel	None	
Rear panel	Aluminium	
Rear panel support plate	S235JR	
Flat seal	PE foam RG 67	
Round cord	EPDM	
<b>Surface finish</b>		
Horizontal sections	RAL 9006	
Handle profile	anodised	
Rear panel	anodised	
Rear panel support plate	RAL 9006	