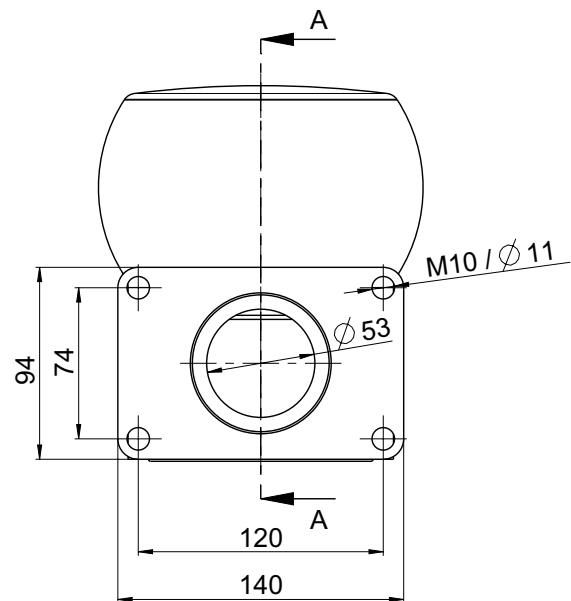
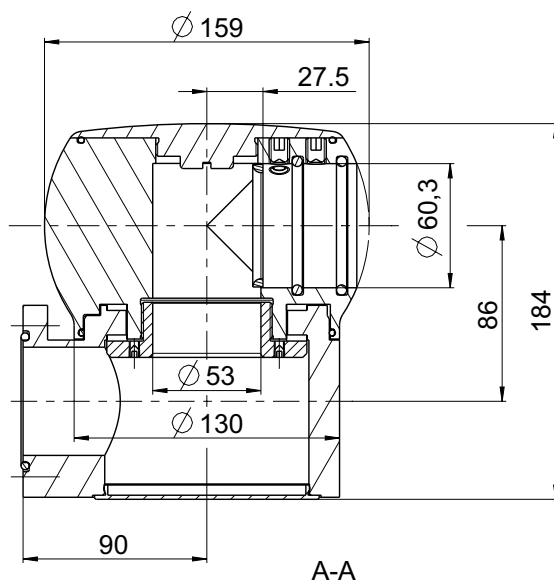
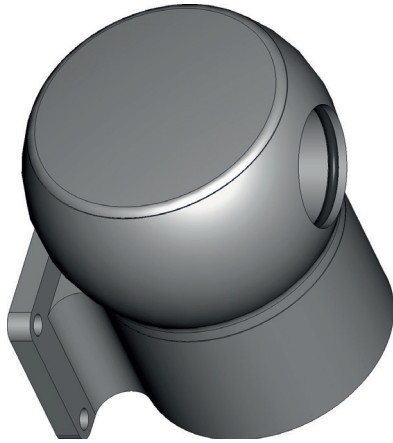


Type CS-600 NR Wall joint

Article number 1014050500



Mechanical Data

Material

Stainless steel components 1.4305

Gasket NBR

Plastics POM / PA

Protection class IP66

Surface of Wall joint Rz 6,3 (in the visible range)